



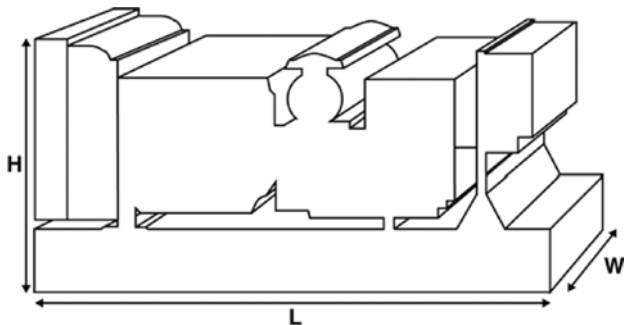
P150-5

Output Ratings

Voltage, Frequency		Prime	Standby
400/230V, 50 Hz	kVA	135	150
	kW	108	120
480/277V, 60 Hz	kVA	150	165
	kW	120	132

Ratings at 0.8 power factor.

Please refer to the output ratings technical data section for specific generator set outputs per voltage.



Soundproof Dimensions

Length	cm	350.9
Width	cm	112
Height	cm	154.5

Ratings in accordance with ISO 8528, ISO 3046, IEC 60034, BS5000 and NEMA MG-1.22.

Generator set pictured may include optional accessories.

Prime Rating

These ratings are applicable for supplying continuous electrical power (at variable load) in lieu of commercially purchased power. There is no limitation to the annual hours of operation and this model can supply 10% overload power for 1 hour in 12 hours.

Standby Rating

These ratings are applicable for supplying continuous electrical power (at variable load) in the event of a utility power failure. No overload is permitted on these ratings. The alternator on this model is peak continuous rated (as defined in ISO 8528-3).

Standard Reference Conditions

Note: Standard reference conditions 25°C (77°F) Air Inlet Temp, 100m (328 ft) A.S.L. 30% relative humidity.

Fuel consumption data at full load with diesel fuel with specific gravity of 0.85 and conforming to BS2869: 1998, Class A2.

FG Wilson offer a range of optional features to allow you to tailor our generator sets to meet your power needs.

Options available include:

- Upgrade to CE Certification
- A wide range of Sound Attenuated Enclosures
- A variety of generator set control and synchronising panels
- Additional alarms and shutdowns
- A selection of exhaust silencer noise levels

For further information on all of the standard and optional features accompanying this product please contact your local Dealer or visit:

www.fgwilson.com

P150-5



Ratings and Performance Data

Engine Make	PERKINS		
Engine Model:	1106A-70TG1		
Alternator Make	Marelli		
Alternator Model:	MJB225LA4		
Base Frame:	Heavy Duty Fabricated Steel		
Circuit Breaker Type:	3 Pole MCCB		
Frequency:	50 HZ		60 HZ
Engine Speed: RPM	rpm	1500	1800
Fuel Tank Capacity:	litres	302	
Fuel Consumption Prime	litres (US gal)	29.9 (7.9)	33.1 (8.7)
Fuel Consumption Standby	litres (US gal)	33.4 (8.8)	36.7 (9.7)

Engine Technical Data

No. of Cylinders	6		
Alignment	In Line		
Cycle	4 Stroke		
Bore	mm (in)	105.0 (4.1)	
Stroke	mm (in)	135.0 (5.3)	
Induction	Turbocharged		
Cooling Method	Water		
Governing Type	Mechanical		
Governing Class	ISO 8528 G2		
Compression Ratio	18.2:1		
Displacement	L (cu. in)	7.0 (427.8)	
Moment of Inertia:	kg m ² (lb/in ²)	1.40 (4784)	
Voltage	12		
Ground	Negative		
Battery Charger Amps	65		
Engine Weight Dry	kg (lb)	725 (1598)	
Engine Weight Wet	kg (lb)	748 (1649)	

Engine Performance Data

		50 Hz	60 Hz
Engine Speed	rpm	1500	1800
Gross Engine Power Prime	kW (hp)	123.7 (166.0)	140.5 (188.0)
Gross Engine Power Standby	kW (hp)	136.9 (184.0)	155.4 (208.0)
BMEP Prime	kPa (psi)	1411.0 (204.6)	1336.0 (193.7)
BMEP Standby	kPa (psi)	1562.0 (226.5)	1477.0 (214.2)

P150-5



Fuel System

Fuel Filter Type:		Replaceable Element			
Recommended Fuel:		Class A2 Diesel			
Fuel Consumption at		110 % Load	100 % Load	75 % Load	50 % Load
50 Hz Prime:	l/hr (US gal/hr)	33.4 (8.8)	29.9 (7.9)	22.6 (6.0)	16.2 (4.3)
50 Hz Standby	l/hr (US gal/hr)	-	33.4 (8.8)	24.9 (6.6)	17.6 (4.6)
60 Hz Prime	l/hr (US gal/hr)	36.7 (9.7)	33.1 (8.7)	25.5 (6.7)	19.7 (5.2)
60 Hz Standby	l/hr (US gal/hr)	-	36.7 (9.7)	27.5 (7.3)	20.7 (5.5)

(Based on diesel fuel with a specific gravity of 0.85 and conforming to BS2869 classA2,EN590)

Air System

Air System		50 Hz	60 Hz
Air Filter Type:		Paper Element	
Combustion Air Flow Prime	m ³ /min (cfm)	7.6 (270)	11.0 (387)
Combustion Air Flow Standby	m ³ /min (cfm)	8.1 (286)	11.5 (405)
Max. Combustion Air Intake Restriction	kPa	5.0 (20.1)	5.0 (20.1)

Cooling System

Cooling System		50 Hz	60 Hz
Cooling System Capacity	l (US gal)	21.0 (5.5)	21.0 (5.5)
Water Pump Type:		Centrifugal	
Heat Rejected to Water & Lube Oil: Prime	kW (Btu/min)	74.9 (4259)	84.2 (4788)
Heat Rejected to Water & Lube Oil: Standby	kW (Btu/min)	82.0 (4663)	92.0 (5232)
Heat Radiation to Room*: Prime	kW (Btu/min)	21.6 (1228)	24.1 (1371)
Heat Radiation to Room*: Standby	kW (Btu/min)	25.9 (1473)	27.0 (1535)
Radiator Fan Load:	kW (hp)	5.0 (6.7)	7.0 (9.4)
Radiator Cooling Airflow:	m ³ /min (cfm)	264.0 (9323)	256.3 (9051)
External Restriction to Cooling Airflow:	Pa (in H ₂ O)	125 (0.5)	125 (0.5)

*: Heat radiated from engine and alternator
 Designed to operate in ambient conditions up to 50°C (122°F).
 Contact your local FG Wilson Dealer for power ratings at specific site conditions.

Lubrication System

Oil Filter Type:		Spin-On, Full Flow
Total Oil Capacity:	l (US gal)	16.5 (4.4)
Oil Pan Capacity:	l (US gal)	14.9 (3.9)
Oil Type:	API CH4 / CI4 15W-40	
Oil Cooling Method:	Water	

Exhaust System

Exhaust System		50 Hz	60 Hz
Maximum Allowable Back Pressure:	kPa (in Hg)	6.0 (1.8)	6.0 (1.8)
Exhaust Gas Flow: Prime	m ³ /min (cfm)	20.8 (733)	27.2 (959)
Exhaust Gas Flow: Standby	m ³ /min (cfm)	22.7 (800)	29.1 (1026)
Exhaust Gas Temperature: Prime	°C (°F)	561 (1042)	526 (979)
Exhaust Gas Temperature: Standby	°C (°F)	561 (1042)	526 (979)

P150-5



Alternator Physical Data

No. of Bearings:	1
Insulation Class:	H
Winding Pitch:	2/3
Winding Code	M0
Wires:	12
Ingress Protection Rating:	IP23
Excitation System:	SHUNT
AVR Model:	Mark V

* dependant on voltage code selected

Alternator Operating Data

Overspeed: rpm	2250
Voltage Regulation: (Steady state) %	+/- 0.5%
Wave Form NEMA = TIF:	50
Wave Form IEC = THF: %	2.0%
Total Harmonic content LL/LN: %	2.0%
Radio Interference:	EN 55011
Radiant Heat: 50 Hz kW (Btu/min)	10.6 (603)
Radiant Heat: 60 Hz kW (Btu/min)	12.1 (688)

Alternator Performance Data 50 Hz:

		415/240V	400/230V	380/220V	220/127V
Voltage Code			230/115V	220/110V	
			200/115V		
Motor Starting Capability*	kVA	281	260	233	307
Short Circuit Capacity**	%	300	300	300	300
Reactances	Xd	2.508	2.700	2.881	2.231
	X'd	0.183	0.197	0.210	0.163
	X''d	0.097	0.097	0.103	0.080

Alternator Performance Data 60 Hz

		480/277V	380/220V	240/120V		440/254V
Voltage Code		240/139V	220/110V	208/120V		220/127V
Motor Starting Capability*	kVA	306	195	231	-	262
Short Circuit Capacity**	%	300	300	300	300	300
Reactances	Xd	2.750	2.683	3.328	-	3.273
	X'd	0.201	0.272	0.243	-	0.239
	X''d	0.099	0.134	0.120	-	0.118

Reactances shown are applicable to prime ratings.

*Based on 30% voltage dip at 0 power factor.

** With optional independant excitation system (PMG / AUX winding)

P150-5



Output Ratings 50 Hz

Voltage Code	kVA	Prime		Standby	
		kW	kVA	kW	kVA
415/240V	135	108	150	120	
400/230V	135	108	150	120	
380/220V	130	104	142	113.6	
230/115V	135	108	150	120	
220/127V	135	108	148	118.4	
220/110V	130	104	142	113.6	
200/115V	135	108	150	120	
240V	-	-	-	-	-
230V	-	-	-	-	-
220V	-	-	-	-	-

Output Ratings 60 Hz

Voltage Code	kVA	Prime		Standby	
		kW	kVA	kW	kVA
480/277V	150	120	165	132	
440/254V	150	120	165	132	
416/240V	-	-	-	-	-
400/230V	-	-	-	-	-
380/220V	140	112	153	122.4	
240/139V	150	120	165	132	
240/120V	-	-	-	-	-
230/115V	-	-	-	-	-
220/127V	150	120	165	132	
220/110V	140	112	153	122.4	
208/120V	150	120	165	132	
240/120	-	-	-	-	-
220/110	-	-	-	-	-



P150-5

Dealer Contact Details



— FROM POWER TO PLUG —

www.jmglimited.com

Documentation

Operation and maintenance manual including circuit wiring diagrams.

Generator Set Standards

The equipment meets the following standards: BS5000, ISO 8528, ISO 3046, IEC 60034, NEMA MG-1.22.

Warranty

6.8 – 750 kVA electric power generation products in prime applications the warranty period is 12 months from date of start-up, unlimited hours (8760). For standby applications the warranty period is 24 months from date of start-up, limited to 500 hours per year.

730 – 2500 kVA electric power generation products in prime applications the warranty period is 12 months from date of start-up, unlimited hours (8760 hours) or 24 months from date of start-up, limited to 6000 hours. For standby applications the warranty period is 36 months from date of start-up, limited to 500 hours per year.

FG Wilson manufactures product in the following locations:

Northern Ireland • Brazil • China • India

With headquarters in Northern Ireland, FG Wilson operates through a Global Dealer Network.

To contact your local Sales Office please visit the FG Wilson website at www.fgwilson.com.

FG Wilson is a trading name of Caterpillar (NI) Limited.

In line with our policy of continuous product development, we reserve the right to change specification without notice.